

# Low Voltage Current Transformers

## RCT1 Series

RCT1 series current transformer is compact, smaller than other models with the current ratio of the transformer is small, clamshell-style terminal cover is well protected by the second terminal. With related accessories you can use Din rail mounting, a current from 5A to 6000A

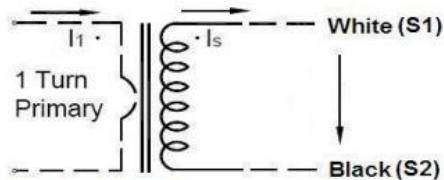
### ◆ Features

- Safe, easy to install, portable
- Wide inner window, allowing clamping of big cables or bus-bars
- Wide range of sizes to accommodate all the existing installations

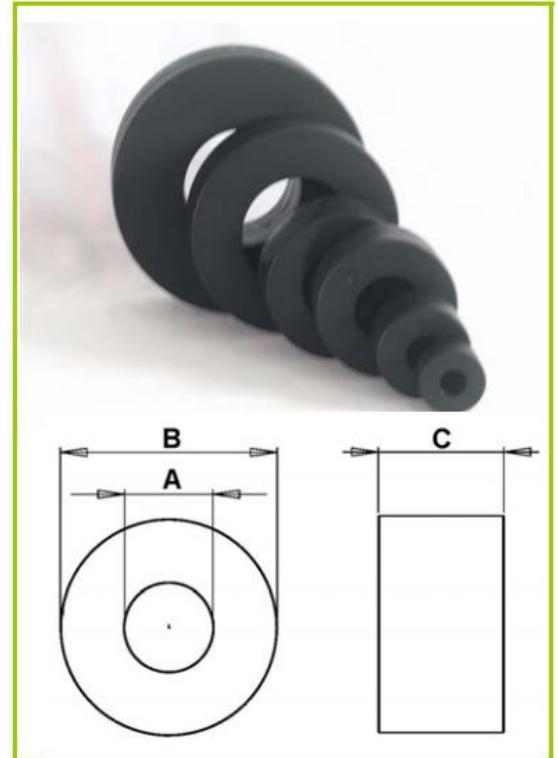
### ◆ Applications

- Current measurement, monitoring and protection for electrical wiring and equipment.
- Current and power measurement for electric motors, lighting, air compressor, heating and ventilation system, air-condition equipment and automation – control system.
- Current, power and energy monitoring device.
- Relay protection device.

### ◆ Circuit connection diagram



### ◆ Technique Index



Electrical Parameter	
Frequency	50-60Hz
Rated Input	5A-6000A
Measuring range	5%In-130%In
Rated Output	0-5A
Ratio	$\leq \pm 0.2\%$
Phase angle	$\leq \pm 10\text{min}$
Dielectric strength	2.5KV/1mA/1min
Insulation Resistance	DC500V/100MΩ min

Mechanical Parameter	
Case	PC /UL94-V0
Bobbin	PBT
Core	Silicon steel
Internal structure	-----
Construction	Screw
Operating Temp	-25°C ~ +75°C
Operating Humidity	$\leq 85\%$
Output Connection	2*1.5mm <sup>2</sup> Wire 1.5m

### ◆ Type Selection (Output: 1A/5A)

Mfg P/N	Rated Input (A)	Output (A)	Accuracy	Dimensions(mm)		
				A	B	C
RCT1-25	30-200A	1A/5A	0.2、0.5、1.0	25	78	55
RCT1-35	100-600A	1A/5A		35	78	55
RCT1-45	250-1000A	1A/5A		45	105	30
RCT1-50	400-1200A	1A/5A		50	112	35
RCT1-65	400-1500A	1A/5A		65	125	35
RCT1-75	600-2000A	1A/5A		75	135	55
RCT1-80	800-2500A	1A/5A		80	125	30
RCT1-90	1000-3000A	1A/5A		90	135	42
RCT1-110	1000-5000A	1A/5A		110	162	42
RCT1-220	1500-10000A	1A/5A		220	269	36

# Low Voltage Current Transformers

## RCT2 Series

RCT2 series current transformer is compact, smaller than other models with the current ratio of the transformer is small, clamshell-style terminal cover is well protected by the second terminal. With related accessories you can use Din rail mounting, a current from 5A to 5000A

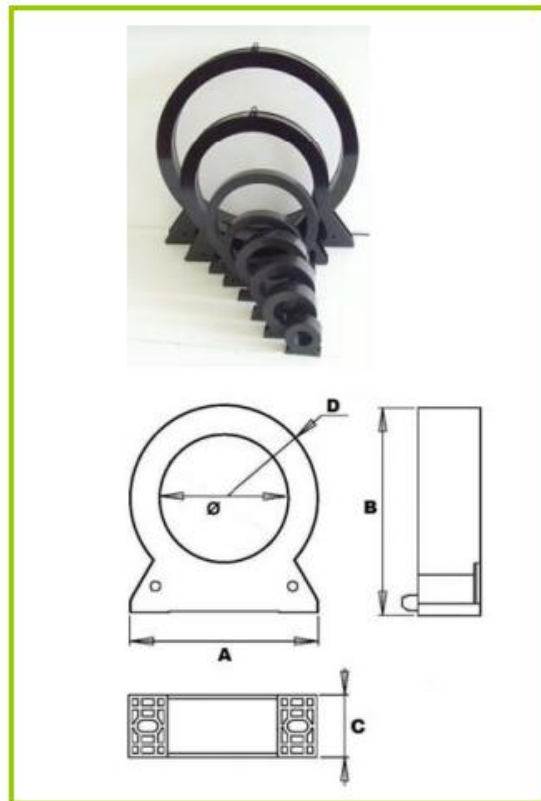
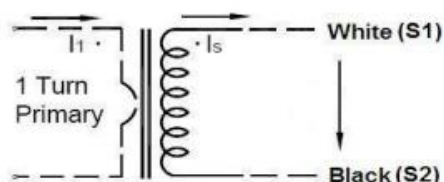
### ◆ Features

- Safe, easy to install, portable
- Wide inner window, allowing clamping of big cables or bus-bars
- Wide range of sizes to accommodate all the existing installations

### ◆ Applications

- Current measurement, monitoring and protection for electrical wiring and equipment.
- Current and power measurement for electric motors, lighting, air compressor, heating and ventilation system, air-condition equipment and automation – control system.
- Current, power and energy monitoring device.
- Relay protection device.

### ◆ Circuit connection diagram



### ◆ Technique Index

Electrical Parameter	
Frequency	50-60Hz
Rated Input	5A-5000A
Measuring range	5%In-130%In
Rated Output	0-5A
Ratio	$\leq \pm 0.2\%$
Phase angle	$\leq \pm 10\text{min}$
Dielectric strength	2.5KV/1mA/1min
Insulation Resistance	DC500V/100MΩ min

Mechanical Parameter	
Case	ABS /UL94-V0
Bobbin	PBT
Core	Silicon steel
Internal structure	Epoxy
Construction	Screw
Operating Temp	$-25^{\circ}\text{C} \sim +75^{\circ}\text{C}$
Operating Humidity	$\leq 85\%$
Output Connection	Terminal

### ◆ Type Selection (Output: 1A/5A)

Mfg P/N	Rated Input (A)	Output (A)	Accuracy	Dimensions(mm)				
				Ø	A	B	C	D
RCT2-010	0-100A	1A/5A	0.2、0.5、1.0	11	50	58	38	26
RCT2-025	0-200A	1A/5A		25	80	70	23	29
RCT2-035	0-630A	1A/5A		35	100	90	30	37
RCT2-045	0-1000A	1A/5A		45	120	102	34	45
RCT2-055	0-1500A	1A/5A		55	150	126	36	53
RCT2-072	0-2500A	1A/5A		72	175	150	42	67
RCT2-100	0-3000A	1A/5A		100	131	136	48	66
RCT2-150	0-5000A	1A/5A		150	200	209	56	100
RCT2-200	0-6000A	1A/5A		200	253	270	56	125
RCT2-300	0-10000A	1A/5A		300	360	380	58	180

# Low Voltage Current Transformers

## RCT3 Series

RCT3 series current transformer is compact, smaller than other models with the current ratio of the transformer is small, clamshell-style terminal cover is well protected by the second terminal. With related accessories you can use Din rail mounting, a current from 5A to 6000A

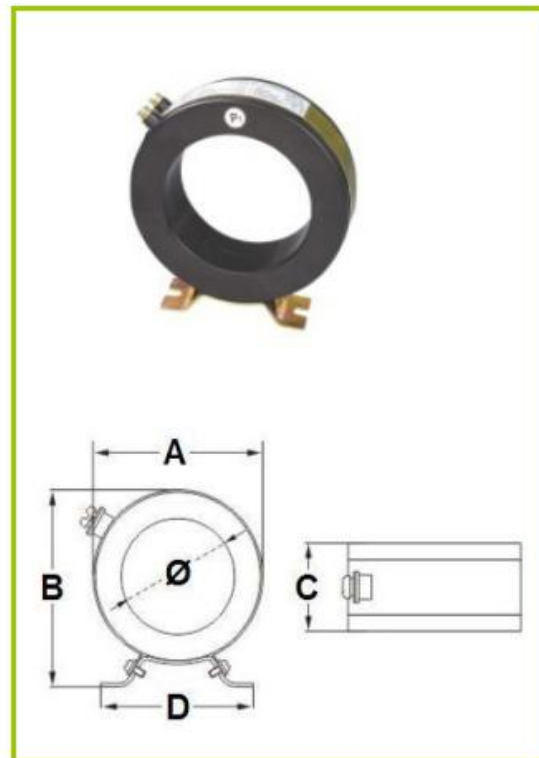
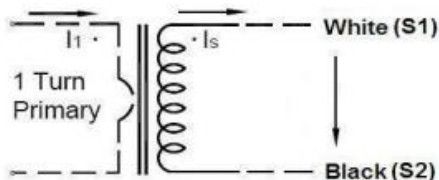
### ◆ Features

- Safe, easy to install, portable
- Wide inner window, allowing clamping of big cables or bus-bars
- Wide range of sizes to accommodate all the existing installations

### ◆ Applications

- Current measurement, monitoring and protection for electrical wiring and equipment.
- Current and power measurement for electric motors, lighting, air compressor, heating and ventilation system, air-condition equipment and automation – control system.
- Current, power and energy monitoring device.
- Relay protection device.

### ◆ Circuit connection diagram



### ◆ Technique Index

Electrical Parameter	
Frequency	50-60Hz
Rated Input	5A-6000A
Measuring range	5%In-130%In
Rated Output	0-5A
Ratio	$\leq \pm 0.2\%$
Phase angle	$\leq \pm 10\text{min}$
Dielectric strength	2.5KV/1mA/1min
Insulation Resistance	DC500V/100MΩ min

Mechanical Parameter	
Case	PC /UL94-V0
Bobbin	PBT
Core	Silicon steel
Internal structure	----
Construction	Screw
Operating Temp	$-25^{\circ}\text{C} \sim +75^{\circ}\text{C}$
Operating Humidity	$\leq 85\%$
Output Connection	Terminal

### ◆ Type Selection (Output: 1A/5A)

Mfg P/N	Rated Input (A)	Output (A)	Accuracy	Dimensions(mm)				
				∅	A	B	C	D
RCT3-25	30-100A	1A/5A	0.2、0.5、1.0	25	78	94	55	93
RCT3-35	30-300A	1A/5A		35	78	94	55	93
RCT3-60	300-1200A	1A/5A		60	105	120	55	110
RCT3-90	800-1600A	1A/5A		90	136	153	42	110
RCT3-110	1000-3000A	1A/5A		110	162	180	42	110
RCT3-130	1500-6000A	1A/5A		130	175	217	50	110

Xiamen ZT Technology Co., Limited

Skype: zntarjason,

[zntarjason@gmail.com](mailto:zntarjason@gmail.com),

[sales@zntar.com](mailto:sales@zntar.com)

[www.zntar.com](http://www.zntar.com)